



[www.rodcraft.com](http://www.rodcraft.com)



## Rodcraft Drills

Valid from Serial No. A00501-Z9999



RC4108

RC4560

RC4610

RC4660



 <b>WARNING</b>	
	To reduce risk of injury, everyone using, installing, repairing, maintaining, changing accessories on, or working near this tool <b>MUST</b> read and understand these instructions before performing any such task.
	<b>DO NOT DISCARD - GIVE TO USER</b>



NOTES :

---



---



---



---



---



---



---



---



---



---



---



---



---



---



---



---



---



---



---



---



---

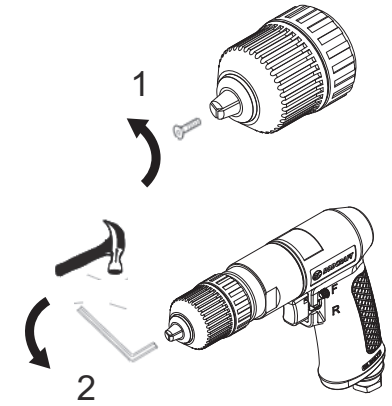
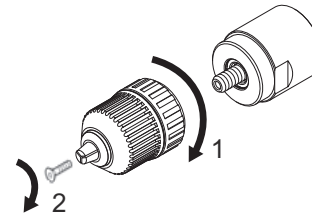


---

Assembly

Disassembly

RC4108/RC4560



RC4610

