

Operator's Manual

RC2277

Impact Wrench



WARNING

To reduce risk of injury, everyone using, installing, repairing, maintaining, changing accessories on, or working near this tool must read and understand these instructions, as well as separately provided safety instructions part number 8956000026, before performing any such task.

Air Diagram:

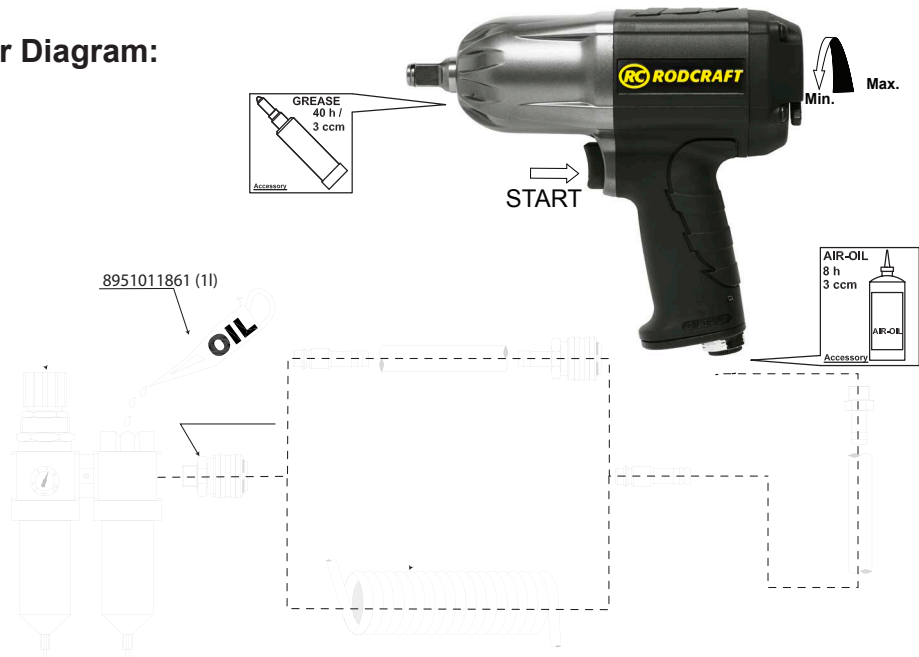


Fig. 1



Fig. 2

Fig. 3

Model	Drive	Torque		Speed	Dimension	Air consumption		Weight	Inner hose diameter	Air inlet	Sound pressure L_{pA}	Sound power L_{wA}	Vibrations	
		Working	Max			Average	Actual						a	k
	1	2		3	4	5	6	7	8	9		10		
in.	N.m	N.m	min-1	mm	NI/s	kg	mm	in.	dB(A)	dB(A)	m/s ²	m/s ²		
RC2277	1/2"	60-900	1300	8200	194*185*70	3.3	10	2	10	1/4"	94	105	10.5	1.5